



## OWNERS MANUAL | OM-104

### ADP™ SURROUND/REAR SPEAKERS

**Thank you for choosing Paradigm® ADP™ Surround/Rear speakers and congratulations!** You are about to hear the difference sonically accurate speakers make in your music and home theater system!

Paradigm® speakers are the product of countless hours of comprehensive research and development and will reward you with exceptional sound for many years.

To ensure proper installation and enjoy all of the exceptional sound these speakers are designed to provide, please read this manual and follow all instructions. If you have further questions, contact your Authorized Paradigm® Dealer or visit the Q&A page on our website at [www.paradigm.com](http://www.paradigm.com).



# TABLE OF CONTENTS

Speaker Placement and Connection (Pictorial) . . . . .	2	About Surround/Rear Speakers . . . . .	4	Fine Tuning . . . . .	6
Your New Speakers . . . . .	3	Room Acoustics . . . . .	5	Troubleshooting Guide . . . . .	6
Preventing Speaker Damage . . . . .	3	Speaker Placement . . . . .	5	Limited Warranty . . . . .	7
		Speaker Connection . . . . .	6		

---



## RECYCLING AND REUSE GUIDELINES FOR EUROPE

In accordance with the European Union WEEE (Waste Electrical and Electronic Equipment) directive effective August 13, 2005, we would like to notify you that this product may contain regulated materials which, upon disposal, according to the WEEE directive, require special reuse and recycling processing. For this reason Paradigm® Electronics Inc. (manufacturers of Paradigm® speakers and Anthem™ Electronics) has arranged with our distributors in European Union member nations to collect and recycle this product at no cost to you. To find your local distributor please contact the dealer from whom you purchased this product or go to our website at [www.paradigm.com](http://www.paradigm.com).

Please note that the product only falls under the WEEE directive. When disposing of packaging and other shipping material we encourage you to recycle through the normal channels.

## DIRECTIVES EUROPEENNES SUR LE RECYCLAGE ET LE TRAITEMENT DES DECHETS

Dans le respect de la directive WEEE (Waste Electrical & Electronic Equipment) mise en place par les institutions Européennes à compter du 13 Août 2005, nous souhaitons vous informer que ce produit peut contenir des matières devant faire l'objet d'une procédure de recyclage ou de traitement approprié des déchets. Dans cette optique, Paradigm® Electronics Inc (fabricant des enceintes Paradigm® et des électroniques Anthem™) avec ses Distributeurs agréés dans l'Union Européenne, ont mis en place une procédure de collecte et de retraitement gratuite. Pour en savoir davantage sur cette procédure veuillez contacter votre revendeur, ou notre Distributeur dans votre pays (vous en obtiendrez les coordonnées sur simple demande ou en consultant notre site internet [www.paradigm.com](http://www.paradigm.com)).

Notez que seul le produit fini est concerné par cette directive et ses obligations. S'agissant de son emballage et de ses accessoires de transport nous vous recommandons de les recycler selon les procédures mises en place par votre commune ou votre département.

# SPEAKER PLACEMENT AND CONNECTION *(pictorial)*

## POSITIONNEMENT ET RACCORDEMENT DES ENCEINTES *(figures)*

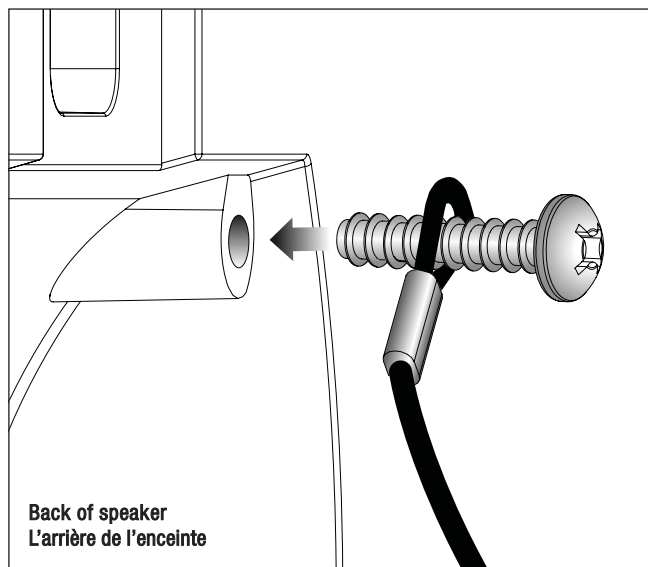


Fig. 1

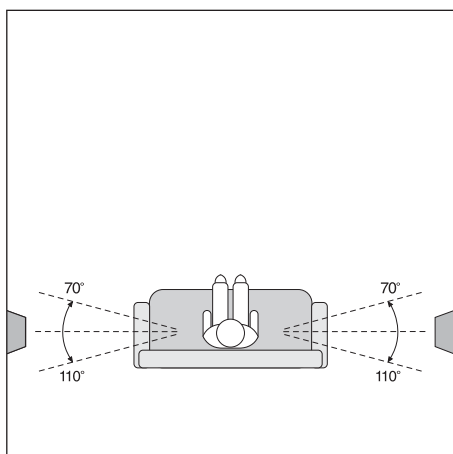


Fig. 2a

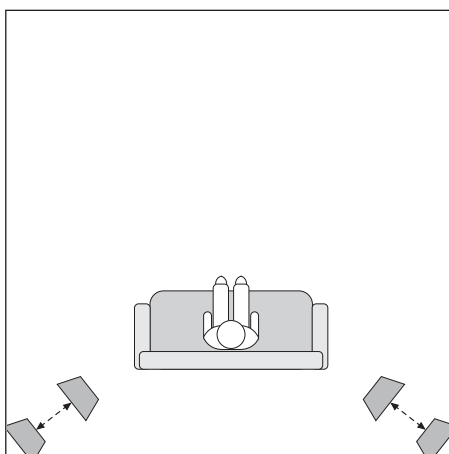


Fig. 2b

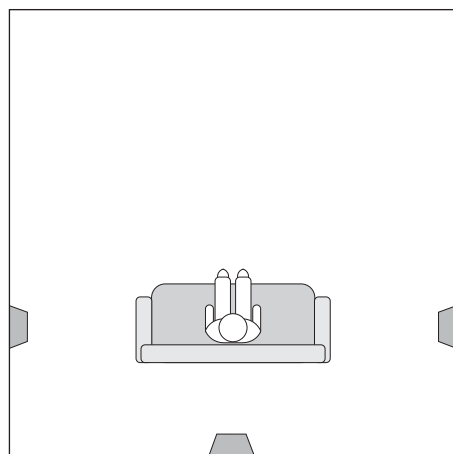


Fig. 2c

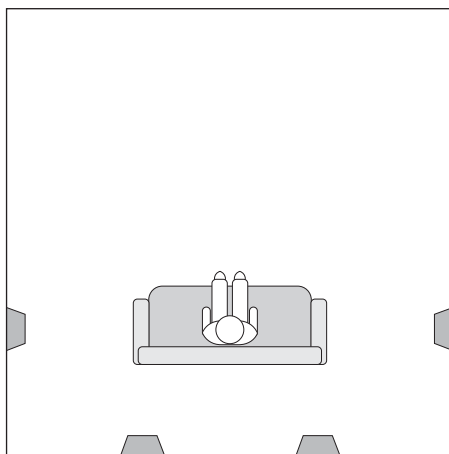


Fig. 2d

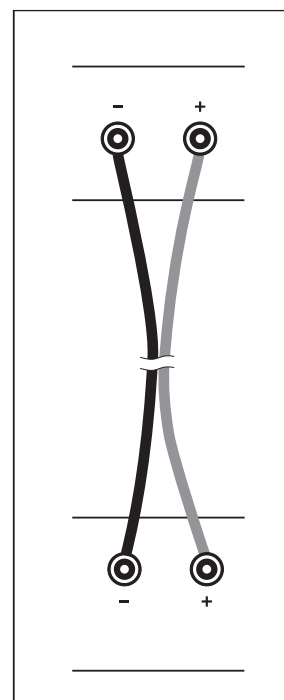


Fig. 3

## YOUR NEW SPEAKERS

### Break-In

Although Paradigm® speakers sound great “out of the carton” they will sound even better once they are “broken in.” Allow them to play for several hours before you begin any critical listening.

High-frequency and midrange drivers use ferro-fluid that can thicken at temperatures below 10° C (50° F). Surround material used in the bass/midrange driver units is made of a compound that may stiffen in colder temperatures. If your speakers have been transported or stored in the cold, let them warm to room temperature before use.

### Cleaning

Do not use a strong or abrasive cleaner on your speakers. Clean them with a damp soft cloth, but do not get them wet.

### Wall-Mounting



**IMPORTANT: Although a wall-mounting template is provided with your Paradigm® ADP speakers, Paradigm DOES NOT supply hardware for mounting speaker brackets to the wall. Please contact your dealer for professional installation.**

Paradigm® ADP™ Surround/Rear speakers can be wall mounted using the hanger brackets supplied.

---

## PREVENTING SPEAKER DAMAGE

Paradigm® speakers are efficient and can be driven to loud listening levels with moderate amplifier power. They are also able to handle the output of very powerful amplifiers. To prevent damage to your speakers, please read the following guidelines before hooking them up.

### Amplifier Distortion—The #1 Culprit!

Amplifier distortion is the principal cause of speaker damage. When listening at loud levels your amplifier may run out of clean power. It will then begin to produce distorted power several times greater than its rated output power. This will damage any brand of speaker very quickly! (*See your Authorized Paradigm® Dealer for amplifier recommendations.*)

### More Powerful Amplifiers are Safer

A 40 watt/channel amplifier will have substantial distortion above 40 watts. If driven to 50 watts, this amplifier will deliver distorted power – which will damage the speaker! A 100 watt/channel amplifier will have substantial distortion above 100 watts, but very low distortion below 100 watts. Therefore, when the speaker requires 50 watts, this more powerful amplifier will deliver clean power and speaker damage is less likely to occur.

### Volume Control

Do not be fooled by the Volume Control of your receiver/preamplifier. It only adjusts listening level—it is not a “power-output” dial. The amount of amplifier power actually used at a given Volume Control setting depends solely on the nature of the music you are listening to. At a given Volume Control setting a quiet section of music will use less amplifier power than a loud section. With typical pop-rock, jazz, or large scale classical music, the rated output power of many receivers/amplifiers is often

### Secondary Restraining Hardware

As an additional safety precaution, when speakers are wall mounted the safety strap (*included*) should be used to prevent personal injury or damage to property. Connect the strap to the speaker by inserting the screw (*included*) into the hole in the back of the speaker, as shown in Fig. 1. See dealer for information on attaching safety strap to wall.

### PARADIGM® Speaker Stands

Your speakers may also be placed on PARADIGM® speaker stands (*sold separately*). For convenience, they can also be placed on shelves or high furniture (i.e. bookshelves) as long as there is at least 18 in (45 cm) of free space on either side of the speaker.

**NOTE:** For stability, when placing ADP™ speakers on a PARADIGM® stand, shelf or other flat surface self-adhesive bumper pads (*included*) must be applied to the bottom of the speaker.

reached when the Volume Control is between the “11 and 1 o’clock” settings (with bass/treble and loudness controls not used – otherwise rated power may be reached at even lower Volume Control settings).

Remember, all amplifiers produce distortion when operated beyond their rated output power. The resulting distortion will damage all speakers! Exercise caution! If you listen at loud levels, be careful to listen for the point of audible distortion—if the speakers begin to sound distressed turn the Volume Control down or your speakers and/or amplifier(s) will be damaged! **This type of damage constitutes abuse and is not covered by the warranty.** If louder volumes are desired obtain a more powerful amplifier.

### There is a Limit!

Although more powerful amplifiers are safer, there is a point at which you could have more power than the speaker can handle. At that point you will overpower the speaker and damage it. Exercise caution! At loud levels do not increase bass/treble controls from zero and ensure that all loudness/contour/bass EQ buttons are off (otherwise rated output power will be reached at lower volume control settings). If you listen at loud levels, watch for excessive visible cone excursion (grille movement) from the woofer – then turn the Volume Control down.

### The Right Amount of Power

A power-range rating is given as a guide to indicate the approximate minimum and maximum power input of your Paradigm® speakers. Amplifiers that exceed your speaker’s power-range rating are recommended. Their greater power reserves provide better sound. However, exercise caution! Use the speakers within their power-range rating to prevent damage (keep listening levels below the point of excessive woofer cone excursion).

# ABOUT SURROUND/REAR SPEAKERS

## MUSIC AND HOME THEATER ... where do Surround and Rear speakers fit in?

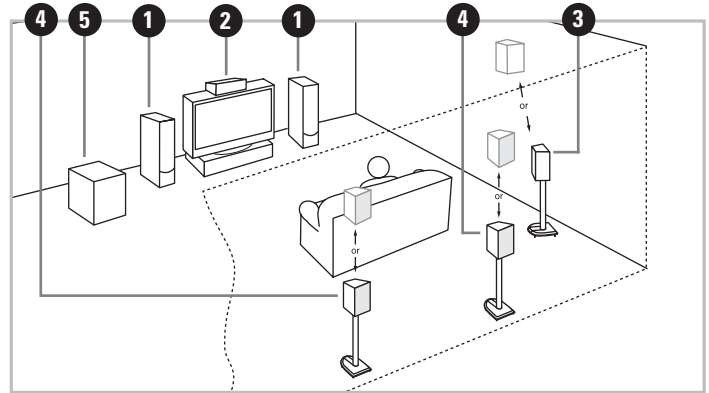
**Front Speakers (1)** reproduce dialog, sound effects and much of the music.

**Center Speaker (2)** reproduces dialog, sound effects and music. It can be placed on top of a TV (or behind a perforated screen in a front-projection system). If used with a direct-view TV, this speaker must be magnetically shielded to prevent picture interference.

**Surround Speakers (3)** reproduce ambience and sound effects critical to the full dimension of multichannel music and movies. Surround speakers with a uniform reverberant soundfield and accurate full-bandwidth bass, like Paradigm® ADP™ speakers, work best.

**Rear Speakers (4)** contribute dimensional size and realism. Here also, Paradigm® ADP™ speakers, with their uniform reverberant soundfield and accurate full-bandwidth bass, work best.

**Subwoofer (5)** handles deep bass, giving dynamic power to low-frequency effects in movies and the bass content in music.



### Why ADP™ speakers work best for music and movies

Movie theaters use multiple arrays of Surround/Rear speakers to keep viewers from being distracted by the sound of any single one (Fig. a).

Conventional forward-radiating speakers cannot reproduce movie theater surround sound in your home. If they are loud enough to blend with the front speakers they draw attention to themselves. Turn them down so they don't distract you and they won't blend with the fronts (Fig. b).

So how can you hear all of the glorious surround sound you're supposed to? With Paradigm® reverberant soundfield ADP™ Surround/Rear speakers placed to the sides and/or rear of the listener (Figs. c, d & e).

Like movie theater surround speakers, ADP™ Surround/Rear speakers envelop you in sound without drawing your attention away from the movie you're watching. They add size and dimension to the soundstage, and ensure a seamless transition when sound and effects move from front and center to side and rear speakers.

ADP™ speakers are just as important for multichannel music. Their ability to create a large, non-localized soundfield contributes multidimensional realism to the reproduction of the original recording's acoustic space.

The diffuse sound of Paradigm® ADP™ Surround/Rear speakers turns your listening into a magical experience – they put the "theater" in home theater and make music sound "live"!

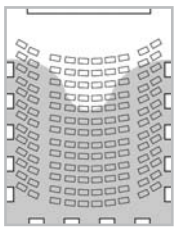


Fig. (a)  
Movie Theater Surrounds

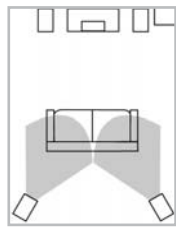


Fig. (b)  
Forward-Radiating Surrounds

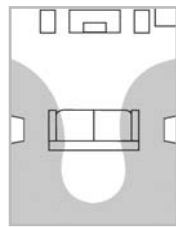


Fig. (c)  
ADP™ Reverberant Surrounds  
5.1 Configuration

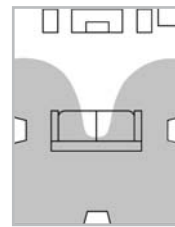


Fig. (d)  
ADP™ Reverberant  
Surrounds and Rear  
6.1 Configuration

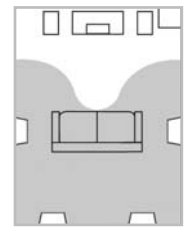


Fig. (e)  
ADP™ Reverberant  
Surrounds and Rears  
7.1 Configuration

## ROOM ACOUSTICS

All Paradigm® speakers are designed to provide exceptional sound in a wide variety of domestic settings. However, it is important to note that listening room construction, dimensions and furnishings all play a part in the quality of sound you ultimately achieve. Your listening room will impose its own character on the performance capabilities of any speaker system. The extra care you take in correctly positioning the speakers will result in greater listening enjoyment. Keep the following guidelines in mind when deciding on the best speaker placement:

- Mid and high frequencies are affected by the amount of soft furnishings in your room – curtains, carpets, sofas, wall coverings, etc. An excess of such items can result in a somewhat dull sound. The same room without

any soft furnishings can produce a bright overall sound. The typical quantity of soft furnishings found in most living situations provides the right acoustic characteristics to allow the speakers to sound balanced.

- Concrete floors and walls tend to aggravate low-frequency standing wave problems and are less preferred.
- Rooms where height, width and length are similar should be avoided as they can exhibit significant low-frequency standing wave problems. This may result in reduced clarity. If no other room is possible, experiment with speaker placement to minimize acoustic problems.

---

## SPEAKER PLACEMENT

Paradigm® ADP™ Surround/Rear speakers are a full bandwidth design, precisely timbre matched to Paradigm® front and center speakers to ensure a profoundly seamless multichannel soundstage. They are designed to be used with their drivers firing toward the front speakers and back wall, ensuring a large reverberant soundfield.

### 5.1 Configuration – Side Wall Placement (Fig. 2a)

Position speakers on either side of the primary listening area, about 6 – 9 ft (2 – 3 m) high.

### 5.1 Configuration – Corner Placement (Fig. 2b)

Alternatively, ADP™ surround speakers can be placed in each of the adjacent back corners behind the primary listening area. They can also be moved out from the back corners (maintaining the same angle position) and placed as close as 3 ft (1 m) from the main listening area.

### 6.1 Configuration (Fig. 2c)

Begin with the *5.1 Surround Configuration – Side Wall Placement*, outlined earlier, then place one ADP™ speaker in the center rear, behind the primary listening area.

### 7.1 Configuration (Fig. 2d)

Begin with the *5.1 Surround Configuration – Side Wall Placement*, outlined earlier, then position another pair of ADP™ speakers behind the primary listening area, with one speaker positioned slightly right of the seating position, the other slightly left.

## SPEAKER CONNECTION (Fig. 3)



**Turn all amplifier(s) OFF before connecting your speakers. This will avoid damage which could result from accidental shorting of speaker cables.**

For optimal sound reproduction the use of high-quality speaker cable is essential. The chart (*below right*) identifies the minimum gauge requirements for various lengths. (*See Dealer for more information.*)

Your Paradigm® speakers are equipped with binding posts that can be used with banana, pin, or spade connectors, as well as with bare wire. Connect one speaker at a time to ensure proper connection of every channel.

Connect the red (+) amplifier terminal to the red (+) speaker terminal and the black (-) to the black (-). Tighten the posts firmly by hand, but do not over-tighten. Make sure wires are firmly fastened. Repeat this connection procedure for each speaker in your system.

**NOTE:** If you hear a distinct lack of bass and a dislocated stereo image (from the front left/right speakers), then one or more of your speakers may have been connected out of phase (their polarity is reversed). Re-check to ensure that each speaker's cable is connected with correct polarity: red (+) to red (+) and black (-) to black (-).

MINIMUM GAUGE REQUIREMENTS		
LENGTH	DIAMETER	GAUGE
Under 4.5 m (15 ft)	1.3 mm (0.05 in)	16 awg
Under 9 m (30 ft)	1.6 mm (0.06 in)	14 awg
Over 9 m (30 ft)	2.0 mm (0.08 in)	12 awg

## FINE TUNING

Once you have your speakers positioned in the room, and have set speaker distances and speaker level calibration with your Processor or A/V Receiver, it's time for a little fine tuning.

Since Paradigm® ADP™ speakers are designed to provide exceptional high-end performance in a variety of room settings, fine tuning is simply a matter of making slight adjustments to speaker placement in the room

and perhaps making minor adjustments that may be required for a particular multichannel music or movie program. If necessary, adjust your Processor or Audio/Video Receiver levels to ensure that there is a cohesive overall soundstage.

For fine tuning of your front left and right speakers, center channel or subwoofer, refer to the Owners Manual included with those speakers.

## TROUBLESHOOTING GUIDE

PROBLEM	SOLUTION
No Sound	Make sure receiver, preamp or amplifier is plugged in and turned on. Check power outlet at the wall is working. Are headphones plugged in, or is system on Mute? Re-check all connections.
No Sound from One or More Speakers	Check your balance control or VC-150 Volume Control (if using). Check that all power cords are properly plugged in and functioning. Swap a non-working speaker with one that works to determine if the problem is with the speaker or something else (i.e. wiring, amplifier).
Lack of Bass or Dislocated Image	One or more speakers may be connected out of phase (their polarity is reversed). Re-check to ensure that each speaker's cable is connected with correct polarity: red (+) to red (+) and black (-) to black (-).

## LIMITED WARRANTY

Paradigm® speakers covered in this manual are warranted to be and remain free of manufacturing and/or material defects for a period of **five (5)** years from the date of original purchase. Within the time period specified, repair, replacement or adjustment of parts for manufacturing and/or material defects will be free of charge to the original owner.

**Thermal or mechanical abuse/misuse is not covered under warranty.**

### Limitations:

- Warranty begins on date of original retail purchase from an Authorized Paradigm® Dealer only. It is not transferable
- Warranty applies to product in normal home use only. If product is subjected to any of the conditions outlined in the next section, warranty is void
- Warranty does not apply if the product is used in professional or commercial applications

### Warranty is Void if:

- The product has been abused (intentionally or accidentally)
- The product has been used in conjunction with unsuitable or faulty equipment
- The product has been subjected to damaging signals, derangement in transport, mechanical damage or any abnormal conditions
- The product (including cabinet) has been tampered with or damaged by an unauthorized service facility
- The serial number has been removed or defaced

### Owner Responsibilities:

- Provide normal/reasonable operating care and maintenance
- Provide or pay for transportation charges for product to service facility
- Provide proof of purchase (your sales receipt given at time of purchase from your Authorized Paradigm® Dealer must be retained for proof-of-purchase date)

Should servicing be required, contact your nearest Authorized Paradigm® Dealer, Paradigm Electronics Inc. or Import Distributor (outside the U.S. and Canada) to arrange, bring in or ship prepaid, any defective unit. Visit our website, **www.paradigm.com** for more information.

Paradigm Electronics Inc. reserves the right to improve the design of any product without assuming any obligation to modify any product previously manufactured.

This warranty is in lieu of all other warranties expressed or implied, of merchantability, fitness for any particular purpose and may not be extended or enlarged by anyone. In no event shall Paradigm Electronics Inc., their agents or representatives be responsible for any incidental or consequential damages. Some jurisdictions do not allow limitation of incidental or consequential damages, so this exclusion may not apply to you.

**Retain this manual and your sales receipt for proof of warranty term and proof of purchase.**





## MODE D'EMPLOI | OM-104

### ENCEINTES ADP<sup>MC</sup> AMBIOPHONIQUES/ARRIÈRE

**Félicitations! Nous vous remercions d'avoir choisi les enceintes prisées ambiophoniques/arrière de la série Monitor de Paradigm<sup>MD</sup>.** Vous allez entendre la différence qu'apporte la précision sonore de ces enceintes dans votre système audio ou de cinéma maison.

Nos enceintes acoustiques sont le produit d'innombrables heures de recherche et de développement approfondis, et elles vous fourniront un son exceptionnel pendant de nombreuses années.

Pour une installation adéquate et une performance optimale de ses enceintes exceptionnelles, lire le présent manuel et suivre toutes les instructions. Pour toute autre question, contacter un revendeur Paradigm<sup>MD</sup> autorisé ou consulter la page Questions-Réponses de notre site Internet au [www.paradigm.com](http://www.paradigm.com).



## TABLE DES MATIÈRE

Positionnement et raccordement des enceintes (figures) . . . . .	2	À propos des enceintes ambiophoniques/arrière . . . . .	11	Raccordement des enceintes . . . . .	13
Vos nouvelles enceintes . . . . .	9	Acoustique de la pièce . . . . .	12	Réglage fin . . . . .	13
Pour éviter d'endommager les enceintes . . . . .	10	Positionnement des enceintes . . . . .	12	Guide de diagnostic . . . . .	13
				Garantie limitée . . . . .	14

## VOS NOUVELLES ENCEINTES

### Rodage

Bien que les enceintes de Paradigm<sup>MD</sup> offrent un son excellent « en sortant de la boîte », leur son sera encore meilleur après une période de rodage. Les laisser fonctionner pendant quelques heures avant une première écoute critique.

Les haut-parleurs de hautes et moyennes fréquences contiennent un ferrofluide dont la viscosité augmente à des températures inférieures à 10 °C (50 F). Les haut-parleurs de basses et moyennes fréquences sont entourés d'un matériau fait d'un composé qui peut devenir rigide à basse température. Si les enceintes ont été transportées ou entreposées au froid, les laisser réchauffer à la température de la pièce avant de les utiliser.

### Nettoyage

Ne jamais utiliser de produit de nettoyage puissant ou abrasif pour nettoyer les enceintes. Les nettoyer à l'aide d'un chiffon doux et humide, mais ne jamais les mouiller.

### Installation au mur



**IMPORTANT :** Bien qu'un gabarit d'installation soit fourni avec les enceintes Paradigm<sup>MD</sup> Reference, Paradigm ne fournit pas les ferrures pour l'installation au mur des supports d'enceinte. Consulter le revendeur pour une installation professionnelle.

Les enceintes ambiophoniques/arrière Paradigm<sup>MD</sup> Reference peuvent être installées au mur à l'aide des supports de fixation fournis.

### Fixations secondaire

Pour les enceintes installées au mur, utiliser des fixations secondaires (*includes*) comme mesure de précaution supplémentaire pour prévenir les blessures et dommages. Fixer la sangle à l'enceinte en insérant la vis (*includer*) dans le trou au dos de l'enceinte, tel qu'illustré aux figures 1. Consulter le revendeur pour des instructions sur la fixation au mur et la sangle sécurité.

### Supports d'enceintes PARADIGM<sup>MD</sup>

Les enceintes peuvent également être placées sur des supports d'enceintes Paradigm<sup>MD</sup> (*vendus séparément*) ou sur des tablettes ou des meubles surélevés (p. ex. bibliothèque), pourvu qu'un espace dégagé d'au moins 45 cm (18 po) soit présent de part et d'autre de l'enceinte.

**REMARQUE:** Pour assurer la stabilité des enceintes ADP<sup>MC</sup> placés sur un support PARADIGM<sup>MD</sup>, une étagère ou autre surface plane, des tampons amortisseurs autocollants (*inclus*) doivent être fixés au-dessous des enceintes.

## POUR ÉVITER D'ENDOMMAGER LES ENCEINTES

Les enceintes Paradigm<sup>MD</sup> sont efficaces et peuvent produire des volumes élevés à des puissances de sortie modérées de l'amplificateur. Elles peuvent également être jumelées à des amplificateurs haute puissance. Pour éviter d'endommager les enceintes, lire les directives suivantes avant de procéder à leur raccordement.

### Distorsion de l'amplificateur – Le principal fautif!

La distorsion de la puissance provenant de l'amplificateur est la principale cause de dommages aux enceintes. À volumes élevés, il peut arriver que la puissance de l'amplificateur soit tout simplement insuffisante. L'amplificateur produira alors un signal distordu dont la puissance est de plusieurs fois supérieure à la puissance nominale. Cette puissance excessive endommagera très rapidement toute enceinte, peu importe la marque! (*Consulter le revendeur pour des recommandations en matière d'amplificateurs.*)

### Les amplificateurs plus puissants sont plus sûrs

Un amplificateur de 40 W/canal produira une importante distorsion à des puissances supérieures à 40 W. Si la puissance sollicitée est de 50 W, il produira un signal distordu qui endommagera l'enceinte! Un amplificateur de 100 W/canal présentera une importante distorsion à plus de 100 W, mais très peu de distorsion à des puissances moindres. Ainsi, si l'enceinte sollicite 50 W, cet amplificateur produira un signal non distordu, réduisant ainsi les risques de dommages à l'enceinte.

### Commande de volume

La commande de volume de l'amplificateur peut être trompeuse puisqu'elle permet seulement d'ajuster le volume d'écoute, mais n'indique pas la puissance de sortie. La puissance fournie par l'amplificateur à un réglage donné de la commande de volume dépend uniquement de la musique écoutée.

À un réglage donné de la commande de volume, un passage de musique doux sollicitera moins de puissance de l'amplificateur qu'un passage plus percutant. Pour l'écoute de pop/rock, de jazz ou de musique classique symphonique, le réglage de la commande de volume de la plupart des amplificateurs à une position entre 11 h et 13 h sur le cadran fournit

environ la puissance nominale de l'amplificateur, à moins que les fonctions de compensation (bass/treble ou loudness) ne soient utilisées, dans lequel cas la puissance nominale pourrait être atteinte à un réglage plus faible de la commande de volume.

Il importe de se rappeler que tout amplificateur produira une distorsion si la puissance sollicitée excède sa puissance de sortie nominale. Cette distorsion endommagera les enceintes! Il faut donc faire attention! Pendant l'écoute à volume élevé, il faut surveiller toute distorsion possible – si le son provenant de l'enceinte semble distordu, réduire le volume pour ne pas endommager les enceintes et/ou l'amplificateur! **La garantie ne couvre pas ce type de détérioration!** Pour l'écoute à des volumes plus élevés, utiliser un amplificateur plus puissant.

### Il y a une limite!

Bien qu'un amplificateur plus puissant soit plus sûr, il existe une limite à la puissance que peut supporter l'enceinte. Au-delà de cette limite, l'enceinte subira des dommages. Il faut donc faire attention! À volume élevé, les commandes des basses/aigues (bass/treble) devraient être en position « zéro » et tous les boutons de compensation ou d'égalisation (loudness/contour/bass EQ), désactivés, à défaut de quoi la puissance nominale sera atteinte à un réglage moindre du volume. Lors de l'écoute à volume élevé, vérifier s'il y a excursion excessive des cônes (mouvement de la grille) des haut-parleurs des graves. Le cas échéant, réduire le volume.

### La bonne puissance

La plage de puissance nominale donne une idée des puissances d'entrée minimum et maximum des enceintes Paradigm<sup>MD</sup>. Il est recommandé d'utiliser un amplificateur dont la puissance nominale excède la plage de puissance des enceintes. Cette puissance « de réserve » de l'amplificateur se traduira par une meilleure qualité sonore. Toutefois, il faut faire attention! Les enceintes doivent être utilisées dans leur plage de puissance pour ne pas les endommager – le volume d'écoute doit toujours être inférieur à la limite d'excursion excessive des cônes des haut-parleurs des graves.

# À PROPOS DES ENCEINTES AMBIOPHONIQUES/ARRIÈRE

## SYSTÈMES AUDIO ET DE CINÉMA MAISON ... le rôle des enceintes ambiophoniques et arrière

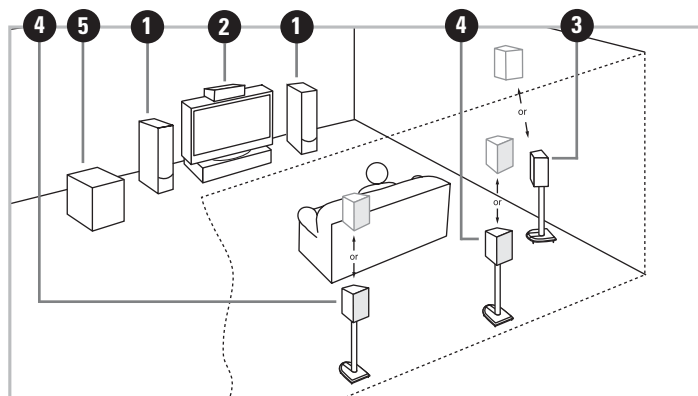
**Enceinte avant (1)** Elle reproduit les dialogues, les effets sonores et une bonne partie du signal musical.

**Enceinte centrale (2)** Elle reproduit les dialogues, les effets sonores et la musique. Elle peut être placée sur une télé (ou derrière l'écran perforé d'un système à téléprojecteur avant). Si elle est utilisée avec une télé ordinaire, cette enceinte doit être magnétiquement blindée pour l'empêcher d'interférer avec les images.

**Enceintes ambiophoniques (3)** Elles reproduisent l'ambiance et les effets sonores essentiels à la pleine ampleur de la musique et des trames à canaux multiples. Les enceintes ambiophoniques, telles que les enceintes ADP<sup>MC</sup> de Paradigm<sup>MD</sup>, qui présentent un champ de réverbération uniforme et reproduisent avec exactitude la pleine bande des graves, offrent la meilleure performance possible.

**Enceintes arrière (4)** Elles contribuent à l'ampleur et au réalisme de l'image sonore. Grâce à leur champ de réverbération uniforme et la reproduction exacte de la pleine bande des graves, les enceintes ADP<sup>MC</sup> de Paradigm<sup>MD</sup> offrent la meilleure performance possible.

**Caisson de sous-graves (5)** Il reproduit les fréquences très graves, conférant une puissance dynamique aux effets de basses fréquences des films et de la musique.



### Pourquoi les enceintes ADP<sup>MC</sup> offrent-elles la meilleure performance pour la musique et les films?

Afin de ne pas attirer l'attention des spectateurs vers un endroit précis, les salles de cinéma sont dotées de plusieurs ensembles d'enceintes ambiophoniques/arrière (Fig. a).

Les enceintes classiques à rayonnement avant ne peuvent reproduire à la maison le son ambiophonique d'une salle de cinéma. Si leur volume est assez élevé pour se fondre avec le signal des enceintes avant, elles attirent trop l'attention. Si on réduit leur volume pour prévenir cet effet, leur signal ne se fond pas avec celui des enceintes avant (Fig. b).

Comment donc entendre toute la plage possible des signaux ambiophoniques? En plaçant des enceintes ambiophoniques/arrière Paradigm<sup>MD</sup> ADP<sup>MC</sup> à champ de réverbération sur les côtés et/ou à l'arrière de l'auditeur (figures c, d et e).

À l'instar des enceintes ambiophoniques des salles de cinéma, les enceintes ambiophoniques/arrière ADP<sup>MC</sup> de Paradigm<sup>MD</sup> à champ de réverbération enveloppent l'auditeur sans détourner son attention du film qu'il regarde. Elles produisent un champ sonore plus vaste et assurent une transition ininterrompue du son et des effets qui se déplacent des enceintes avant et centrale vers les enceintes latérales et arrière.

Les enceintes ADP<sup>MC</sup> sont tout aussi performantes en ce qui concerne la musique à canaux multiples. Leur capacité de créer un vaste champ sonore non localisé assure une reproduction multidimensionnelle réaliste de l'espace acoustique de l'enregistrement original.

Le son diffus des enceintes ambiophoniques/arrière à réverbération de Paradigm<sup>MD</sup> font de l'écoute une expérience magique – c'est comme être au cinéma ou dans une salle de concert sans quitter la maison!

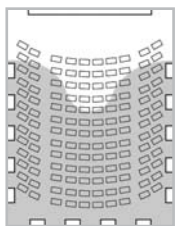


Fig. (a)

Ambiophonie d'une salle de cinéma

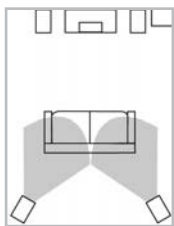


Fig. (b)

Enceintes ambiophoniques à rayonnement avant

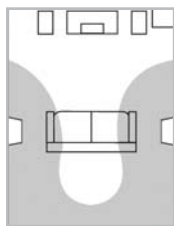


Fig. (c)

Enceintes ambiophoniques à réverbération ADP<sup>MC</sup> Configuration 5.1

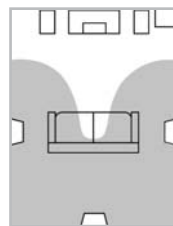


Fig. (d)

Enceintes ambiophoniques et arrière à réverbération ADP<sup>MC</sup> Configuration 6.1

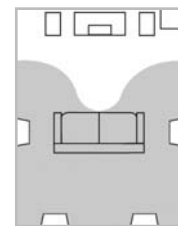


Fig. (e)

Enceintes ambiophoniques et arrière à réverbération ADP<sup>MC</sup> Configuration 7.1

## ACOUSTIQUE DE LA PIÈCE

Les enceintes Paradigm<sup>MD</sup> sont conçues pour offrir un son haut de gamme dans divers milieux d'écoute intérieurs. Il importe toutefois de noter que la construction et les dimensions de la pièce, ainsi que son contenu ont tous une incidence sur la qualité sonore qu'il sera possible d'obtenir. La salle d'écoute impose son caractère propre à la performance de tout ensemble d'enceintes. En prenant soin de bien les positionner, vous vous assurerez une expérience d'écoute optimale. En général, il est recommandé d'observer les directives suivantes en ce qui concerne le positionnement des enceintes :

- La quantité d'objets « mous » (rideaux, moquettes, sofas, revêtements muraux, etc.) que renferme la pièce aura une incidence sur les moyennes et hautes fréquences. S'ils sont trop nombreux, ces objets peuvent éteindre le son produit par les enceintes. La même pièce sans

aucun objet mou offrira un son généralement clair. Une quantité normale de ces objets dans la pièce offrira les caractéristiques acoustiques permettant d'obtenir des enceintes un son équilibré.

- Les planchers et murs en béton ont tendance à amplifier les problèmes liés aux ondes stationnaires des basses fréquences et ne sont donc pas idéals.
- Les pièces de hauteur, largeur et longueur semblables ne sont pas recommandées puisqu'elles peuvent se traduire par d'importants problèmes d'ondes stationnaires des basses fréquences qui réduisent la précision du son. Si aucune autre pièce n'est disponible, essayer différentes configurations du positionnement des enceintes afin de minimiser ces problèmes.

---

## POSITIONNEMENT DES ENCEINTES

Les enceintes ambiophoniques/arrière ADP<sup>MC</sup> sont des enceintes pleine bande dont le timbre est précisément accordé avec celui des enceintes Paradigm<sup>MD</sup> des canaux avant et central, ce qui garantit une reproduction profonde et sans disjonction du signal de tous les canaux. Les haut-parleurs doivent être orientés vers les enceintes avant et le mur arrière pour assurer un vaste champ de réverbération.

### **Configuration 5.1 – Près des murs latéraux** (Fig. 2a)

Placer les enceintes ADP<sup>MC</sup> de part et d'autre de la principale aire d'écoute, à une hauteur d'environ 2 m à 3 m (6 pi à 9 pi).

### **Configuration 5.1 – Dans les angles** (Fig. 2b)

On peut placer les enceintes ambiophoniques dans chacun des angles de la pièce situés derrière la principale aire d'écoute. On peut également les éloigner des angles arrière, jusqu'à environ 1 m (3 pi) de la principale aire d'écoute (en maintenant la même orientation par rapport à cette dernière).

### **Configuration 6.1** (Fig. 2c)

Commencer par la configuration ambiophonique 5.1 près des murs latéraux (*ci-dessus*), puis centrer une enceinte ADP<sup>MC</sup> derrière la principale aire d'écoute.

### **7.1 Configuration** (Fig. 2d)

Commencer par la configuration ambiophonique 5.1 près des murs latéraux (*ci-dessus*), puis placer une autre paire d'enceintes ADP<sup>MC</sup> derrière la principale aire d'écoute, une enceinte légèrement à droite de l'endroit où l'on s'assoit et l'autre, légèrement à gauche.

## RACCORDEMENT DES ENCEINTES (Fig. 3)



**ÉTEINDRE tout amplificateur avant de raccorder les enceintes acoustiques. Ceci évitera les dommages qui résulteraient d'une mise en court-circuit accidentelle des câbles des enceintes acoustiques.**

Pour obtenir une reproduction optimale du son, il est essentiel d'utiliser du câble de haute qualité pour enceintes acoustiques. Le tableau ci-dessous identifie le diamètre minimal des conducteurs à utiliser en fonction de la longueur de câble (*pour d'autre information, consulter le revendeur*).

Les enceintes Paradigm<sup>MD</sup> sont dotées de bornes de raccordement qui peuvent être utilisées avec des prises bananes ou à broches ou des cosses rectangulaires, ainsi qu'avec des fils nus. Raccorder une enceinte à la fois à l'amplificateur afin d'assurer le bon raccordement de chaque canal.

Raccorder la borne rouge (+) de l'amplificateur à la borne rouge (+) de l'enceinte et la borne noire (-) à la borne noire (-). Serrer les bornes fermement à la main, mais pas excessivement. S'assurer que chaque raccordement est bien fixé. Répéter la même procédure pour chacune des enceintes du système.

**REMARQUE :** Si une déficience des graves ou une image stéréophonique disloquée (provenant des enceintes avant gauche/droite) est perçue, il se peut qu'une des enceintes soit déphasée (polarité inversée). Vérifier de nouveau la polarité de chaque raccordement : rouge (+) à rouge (+) et noir (-) à noir (-).

CALIBRE MINIMUM NÉCESSAIRE		
LONGUEUR	DIAMÈTRE	CALIBRE
Moins de 4,5 m (15 pi)	1,3 mm (0,05 in)	16 awg
Moins de 6 m (30 pi)	1,6 mm (0,06 in)	14 awg
Plus de 9 m (30 pi)	2,0 mm (0,08 in)	12 awg

## RÉGLAGE FIN

Une fois que les enceintes sont positionnées dans la pièce et que les distances et la calibration des niveaux des haut-parleurs ont été réglées à l'aide du processeur ou du syntoniseur audiovisuel, un réglage fin peut s'imposer. Puisque les enceintes Paradigm<sup>MD</sup> sont conçues pour fournir une performance haut de gamme dans différentes pièces, ce réglage consiste simplement en de petites modifications au positionnement des enceintes. Pour les enceintes avant, le canal central et le caisson de sous-graves, se reporter au mode d'emploi de chacune de ces enceintes.

En ce qui concerne les enceintes ambiophoniques et arrière, des modifications au volume des canaux pourraient être nécessaires selon le programme multicanaux donné de musique ou de film. Au besoin, régler les niveaux des canaux ambiophoniques/arrière du processeur ou du syntoniseur audiovisuel pour obtenir une image sonore globale cohérente.

## GUIDE DE DIAGNOSTIC

PROBLÈME	SOLUTION
Aucun son	S'assurer que le préamplificateur ou l'amplificateur est branché et allumé. Vérifier que la prise de courant fonctionne correctement. Les écouteurs sont-ils branchés ou le système est-il en mode sourdine (mute)? Vérifier tous les raccords.
Aucun son d'une ou plusieurs enceintes	Vérifier la commande de réglage d'équilibre (balance) ou la commande de volume VC-150 (si elle est utilisée). Vérifier le branchement et le fonctionnement de tous les cordons d'alimentation. Remplacer l'enceinte qui ne fonctionne pas par une enceinte qui fonctionne pour vérifier si le problème est au niveau de l'enceinte ou ailleurs (c.-à-d. le filage, l'amplificateur).
Déficience des graves ou image disloquée	Il se peut qu'une des enceintes soit déphasée (polarité inversée). Vérifier de nouveau la polarité de chaque raccordement : rouge (+) à rouge (+) et noir (-) à noir (-)

## GARANTIE LIMITÉE

Les enceintes de Paradigm<sup>MD</sup> présentés dans ce manuel sont garanties contre les défauts de matériaux et de fabrication pendant une période de **cinq (5) ans** à compter de la date d'achat du matériel neuf. Durant cette période, la réparation, le remplacement ou le réglage de pièces pour des défauts de matériaux ou de fabrication ne seront pas à la charge du premier acheteur.

**Les dommages causés par l'exposition abusive à la chaleur ou l'usage abusif ne sont pas couverts par la présente garantie.**

### Clauses spécifiques :

- La garantie entre en vigueur à la date d'achat par le premier acheteur chez un revendeur autorisé Paradigm<sup>MD</sup>. La garantie n'est pas transférable.
- La garantie s'applique aux enceintes pour une utilisation domestique normale. Si les enceintes sont soumises à l'une des conditions définies dans le paragraphe suivant, la garantie est nulle.
- La garantie ne s'applique pas à un usage commercial ou professionnel.

### La garantie est révoquée si :

- L'enceinte est soumise à un usage abusif (accidentel ou intentionnel).
- L'enceinte est utilisée avec un équipement défectueux ou non adéquat.
- L'enceinte est soumise à des signaux électriques dommageables, un transport dangereux, des dommages matériels ou toute autre condition anormale.
- L'enceinte (y compris le boîtier) sont altérés ou endommagés lors d'une réparation non autorisée.
- La plaque du numéro de série du produit est enlevée ou défigurée.

### Responsabilités du propriétaire :

- Apporter un soin et un entretien normaux et raisonnables.
- Assumer les frais de transport jusqu'à l'atelier de réparation.
- Fournir une preuve d'achat (conserver le reçu fourni lors de l'achat par le revendeur autorisé Paradigm<sup>MD</sup> comme preuve de la date d'acquisition).

Si une réparation est nécessaire, contacter le revendeur autorisé Paradigm<sup>MD</sup>, Paradigm Electronics Inc. ou le distributeur à l'étranger (à l'extérieur du Canada et des États-Unis) pour planifier l'envoi prépayé de l'enceinte défectueuse. Consulter le site Web [www.paradigm.com](http://www.paradigm.com) pour plus d'information.

Paradigm Electronics Inc. se réserve le droit d'améliorer ou de modifier ses produits en tout temps sans responsabilité ou engagement envers les produits existants.

La présente garantie de qualité marchande tient en lieu et place de toute autre garantie explicite ou implicite et ne peut être modifiée, élargie ou étendue à d'autres obligations par quiconque. Paradigm Electronics Inc. et ses représentants ou agents ne peuvent pas être tenus responsables de dommages découlant de l'utilisation de ces produits. Là où une réglementation spécifique interdit une telle limitation de la responsabilité, cette exclusion ne s'applique pas.

**Conserver le présent manuel et le reçu comme preuves d'achat jusqu'au terme de la garantie.**

---

**Paradigm<sup>®</sup>**

[www.paradigm.com](http://www.paradigm.com)

---